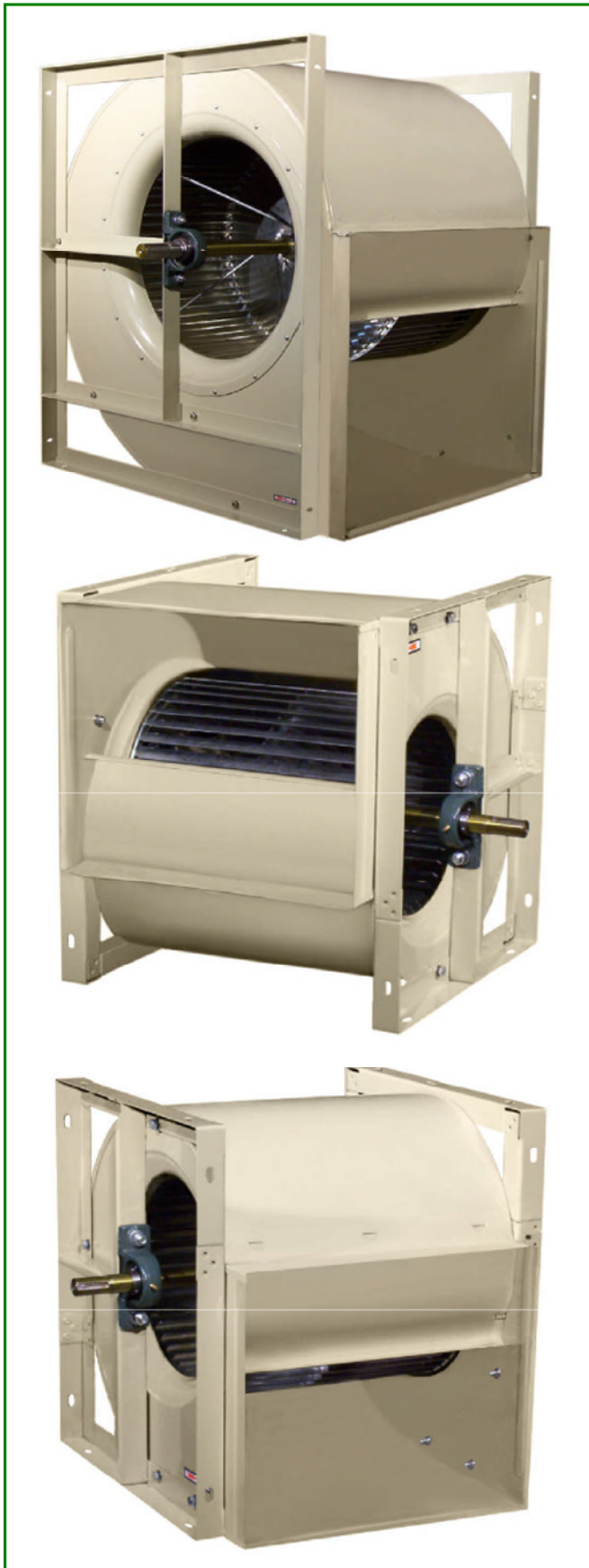


FORWARD CURVED DWDI FANS



Forward Curved DWDI Fans from New York Blower have been specifically designed to provide the best value to OEMs for their air handler applications. From the powder coated, rugged housing and robust square side support frames, to the selection of heavy-duty pillow block bearings, New York Blower's FC DWDI fans will provide years of trouble free operation. All fans have been air and sound tested in our accredited laboratory to assure accurate performance and low sound levels. To minimize inventory costs for our OEM customers, all units are in stock in our warehouse for next day delivery.

DESIGN FEATURES

- Capacities to 32,000 CFM.
- Static pressures to 3.25" WG.
- Seven sizes ranging from 9" to 22" wheel diameter.
- Temperatures to 120°F.
- Choice of four discharge positions. . . TH, BH, UB, and DB.
- Square structural supports aid in installation while minimizing vibration and sound.
- Housings coated with an epoxy polyester powder in finish color beige.
- Wheels constructed of galvanized steel.
- Dual-drive shafting furnished for installation flexibility.
- Pillow block bearings.
- All sizes available for shipment from stock.



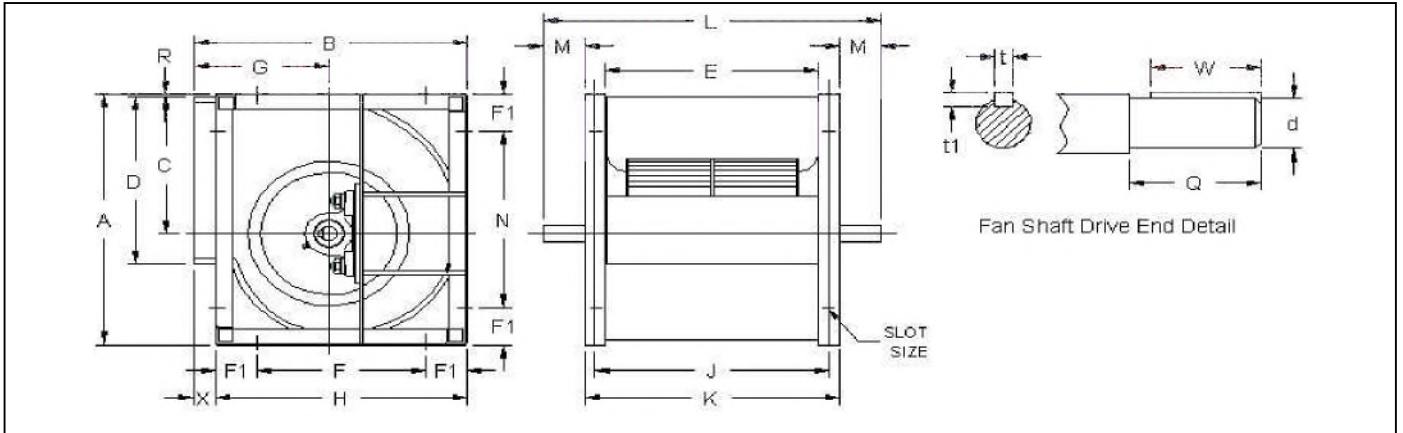
THE NEW YORK BLOWER COMPANY
7660 Quincy Street
Willowbrook, IL 60527-5530

Visit us on the Web: <http://www.nyb.com>
Phone: (800) 208-7918 Email: nyb@nyb.com

DTA20-20H		Forward-Curved DWDI Fan										Wheel Diameter: 20.0 in Fan Outlet Area: 3.759 ft ² Wheel Maximum Safe Speed: 850 RPM											
CFM	OV	0.25" SP		0.5" SP		0.75" SP		1.0" SP		1.25" SP		1.5" SP		1.75" SP		2.0" SP		2.25" SP		2.5" SP			
		RPM	BHP	RPM	BHP	RPM	BHP	RPM	BHP	RPM	BHP	RPM	BHP	RPM	BHP	RPM	BHP	RPM	BHP	RPM	BHP	RPM	BHP
5400	1437	319	0.72	399	1.01	461	1.28	520	1.56	578	1.88	631	2.19	683	2.99	732	3.38						
6200	1649	344	1.00	416	1.32	479	1.63	533	1.95	583	2.27	635	2.62	686	3.51	733	3.93	775	4.33				
7000	1862	369	1.34	434	1.69	497	2.06	549	2.41	598	2.77	643	3.14	698	4.15	737	4.56	779	5.01	817	5.44		
7800	2075	396	1.76	457	2.15	514	2.55	567	2.96	615	3.36	657	3.75	698	4.15	737	4.56	779	5.01	817	5.44		
8600	2288	424	2.26	480	2.69	534	3.13	585	3.58	632	4.03	675	4.47	713	4.89	750	5.33	788	5.80	824	6.25		
9400	2501	453	2.86	506	3.33	555	3.81	602	4.29	648	4.78	690	5.26	731	5.76	767	6.22	800	6.68	836	7.20		
10200	2713	482	3.57	532	4.08	578	4.58	623	5.11	666	5.63	709	6.17	748	6.71	785	7.23	819	7.75				
11000	2926	513	4.40	559	4.93	604	5.49	645	6.05	686	6.61	726	7.17	764	7.73	801	8.31	837	8.90				
11800	3139	545	5.34	586	5.91	629	6.50	668	7.08	708	7.71	745	8.31	782	8.92	818	9.53						

DTA22-22H		Forward-Curved DWDI Fan										Wheel Diameter: 22.0 in Fan Outlet Area: 4.441 ft ² Wheel Maximum Safe Speed: 850 RPM											
CFM	OV	0.5" SP		1.0" SP		1.5" SP		1.75" SP		2.0" SP		2.25" SP		2.5" SP		2.75" SP		3.0" SP		3.25" SP			
		RPM	BHP	RPM	BHP	RPM	BHP	RPM	BHP	RPM	BHP	RPM	BHP	RPM	BHP	RPM	BHP	RPM	BHP	RPM	BHP	RPM	BHP
8400	1891	384	1.95	491	2.82	577	3.66	616	4.08	657	4.57			735	6.25			805	8.14				
9200	2072	399	2.38	503	3.33	588	4.27	624	4.70	662	5.19	695	5.65	735	6.25			806	8.94				
10000	2252	414	2.86	514	3.90	599	4.95	636	5.45	669	5.91	703	6.41	737	6.95	768	7.47	805	8.14				
10800	2432	431	3.40	525	4.52	610	5.67	647	6.23	681	6.77	714	7.29	743	7.79	775	8.36	806	8.94	836	9.53		
11600	2612	448	4.02	537	5.23	619	6.44	657	7.06	692	7.67	726	8.27	754	8.80	784	9.38	814	9.97	842	10.6		
12400	2792	468	4.74	552	6.04	630	7.31	669	7.98	702	8.62	734	9.26	767	9.92	796	10.5	824	11.1				
13200	2972	488	5.55	567	6.93	642	8.27	679	8.97	714	9.68	747	10.4	776	11.0	807	11.7	834	12.4				
14000	3152	509	6.47	583	7.90	655	9.33	691	10.1	725	10.8	757	11.5	787	12.3	817	13.0	846	13.8				
14800	3333	531	7.49	599	8.95	669	10.5	702	11.2	735	12.0	766	12.8	798	13.6	826	14.3						

FAN DIMENSIONS AND SPECIFICATIONS



Fans are designed in metric; inches are approximate.

Model	A		B		C		D		E		F		F1	
	mm	in.	mm	in.	mm	in.	mm	in.	mm	in.	mm	in.	mm	in.
DTA09-09H	405	15 15/16	395	15 9/16	221	8 11/16	270	10 5/8	310	12 3/16	230	9 1/16	60	2 3/8
DTA10-10H	450	17 11/16	435	17 1/8	247	9 3/4	302	11 7/8	339	13 3/8	270	10 5/8	60	2 3/8
DTA12-12H	530	20 7/8	516	20 5/16	293	11 9/16	353	13 7/8	387	15 1/4	340	13 3/8	60	2 3/8
DTA15-15H	635	25	606	23 7/8	340	13 3/8	413	16 1/4	447	17 5/8	390	15 3/8	80	3 1/8
DTA18-18H	755	29 3/4	718	28 1/4	418	16 7/16	490	19 5/16	542	21 5/16	500	19 11/16	80	3 1/8
DTA20-20H	870	34 1/4	844	33 1/4	485	19 1/8	567	22 5/16	616	24 1/4	610	24	80	3 1/8
DTA22-22H	935	36 13/16	884	34 13/16	534	21	612	24 1/8	674	26 9/16	650	25 9/16	80	3 1/8

Model	G		H		J		K		L		M		N	
	mm	in.	mm	in.	mm	in.	mm	in.	mm	in.	mm	in.	mm	in.
DTA09-09H	197	7 3/4	350	13 3/4	350	13 3/4	380	14 15/16	512	20 3/16	66	2 5/8	285	11 1/4
DTA10-10H	220	8 11/16	390	15 3/8	379	14 15/16	409	16 1/8	541	21 5/16	66	2 5/8	330	13
DTA12-12H	250	9 13/16	460	18 1/8	427	16 13/16	457	18	609	24	76	3	410	16 1/8
DTA15-15H	291	11 7/16	550	25 9/16	487	19 3/16	527	20 3/4	669	26 5/16	71	2 13/16	475	18 11/16
DTA18-18H	341	13 7/16	660	26	582	22 15/16	622	24 1/2	764	30 1/16	71	2 13/16	595	23 7/16
DTA20-20H	412	16 1/4	770	30 5/16	666	26 1/4	716	28 3/16	919	36 3/16	101	4	710	27 15/16
DTA22-22H	420	16 9/16	810	31 7/8	724	28 1/2	774	30 1/2	974	38 3/8	100	3 15/16	775	30 1/2

Model	Q		R		W		X		d	t	t1	SLOT SIZE	
	mm	in.	mm	in.	mm	in.	mm	in.	mm	mm	mm	mm	in.
DTA09-09H	30	1 3/16	5	3/16	25	1	45	1 3/4	24	8	7	10 X 20	3/8 X 13/16
DTA10-10H	30	1 3/16	4	3/16	25	1	45	1 3/4	24	8	7	10 X 20	3/8 X 13/16
DTA12-12H	45	1 3/4	4	3/16	40	1 9/16	56	2 3/16	24	8	7	10 X 20	3/8 X 13/16
DTA15-15H	45	1 3/4	4	3/16	40	1 9/16	56	2 3/16	24	8	7	10 X 20	3/8 X 13/16
DTA18-18H	45	1 3/4	2	1/16	40	1 9/16	58	2 5/16	28	8	7	10 X 20	3/8 X 13/16
DTA20-20H	65	2 9/16	5	3/16	60	2 3/8	74	2 15/16	36	10	8	13 X 25	1/2 X 1
DTA22-22H	65	2 9/16	--	--	60	2 3/8	74	2 15/16	36	10	8	13 X 25	1/2 X 1

SPECIFICATIONS

Model	Maximum Safe Speed (RPM)	Wheel Diameter		Wheel Weight		Wheel WR2		Shaft Diameter Brgs. Drive End		Bare Fan Weight		Bearings*
		mm	in.	kg.	lbs	kg-m ²	lb-ft ²	mm	mm	kg.	lbs.	
DTA09-09H	1700	242	9 1/2	3.1	6.8	0.02	0.5	25	24	15	34	HCP205-25mm
DTA10-10H	1600	270	10 5/8	4.3	9.5	0.02	0.6	25	24	18	39	HCP205-25mm
DTA12-12H	1400	321	12 5/8	6.8	15.0	0.04	0.9	25	24	23	50	HCP205-25mm
DTA15-15H	1200	381	15	9.3	20.5	0.05	1.2	25	24	35	78	HCP205-25mm
DTA18-18H	1000	458	18 1/16	16.0	35.3	0.08	2.1	30	28	51	112	HCP206-30mm
DTA20-20H	850	508	20	24.5	54.0	0.11	2.5	40	36	93	204	HCP208-40mm
DTA22-22H	850	568	22 3/8	30.0	66.2	0.16	3.8	40	36	122	270	HCP208-40mm

Tolerance: ±3 mm; ±1/8"

*Peer Bearing Co. Model HCP200 Series Eccentric Locking Collar Bearings and Model GRP200 Series GRIP-IT 360 Degree Locking Bearings.